



IHG 单级单吸化工离心泵
CHEMICAL PROCESS PUMP TYPE

产品执行标准：GB/T 5656
Products standard：GB/T 5656

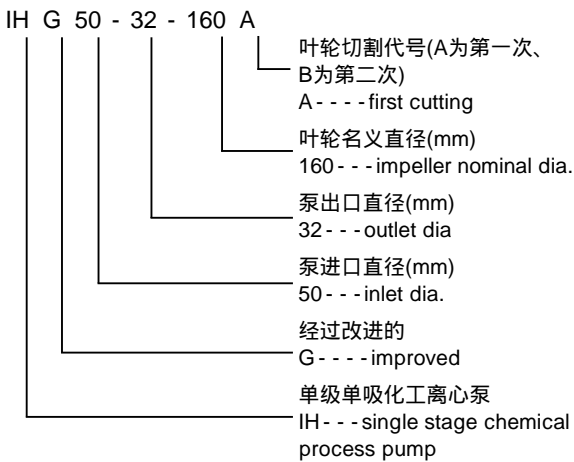
用途

IHG型单级单吸化工离心泵适用于石油、化工、冶金、电力、造纸、食品、制药、合成纤维、环保、水产等部门，抽送具有腐蚀性、物理性质类似于水的液体，介质温度-20 ~ +150 之间，出口压力小于1.6Mpa。

APPLICATION

IHG single stage chemical process pump are suitable for petro-chemical, chemical industry, metallurgy industry, electricity station, paper mill, food industry, pharmacy industry, synthetic fiber industry, environment protection etc. The pumps are used for corrosive liquid and liquid is similar to water in physical, medium temperature is -20 to 150, outlet pressure less than 1.6Mpa.

型号说明 MODEL DESIGNATION



结构说明

IHG型单级单吸化工离心泵是在IH基础上经过改进而产生的化工泵，性能范围和安装尺寸均与IH型泵相同，符合国际标准ISO2858-1975(E)。

IHG型泵在泵盖上有水冷系统，为密封部件提供良好的冷却。

IHG型泵轴封有单端面和双端面机械密封，根据介质的腐蚀性强弱以及是否含有固体颗粒而选用不同的机械密封。

CONSTRUCTION INSTRUCTION

IHG single stage chemical process pump is improved on the basic of IH chemical pump, the performance and dimension are the same as IH pump. It is conforms to international standard ISO2858-1975(E).

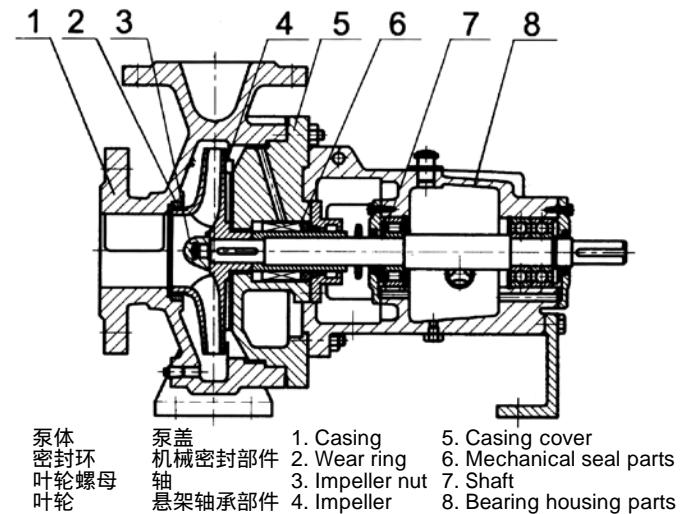
There is water cooling system on the casing cover, this system makes better cooling for mechanical seal parts.

There are single-acting mechanical seal and double-acting mechanical seal for IHG chemical process pump, the mechanical seal is selected base on the corrosive liquid and the solid particles in the liquid.

材料 MATERIAL

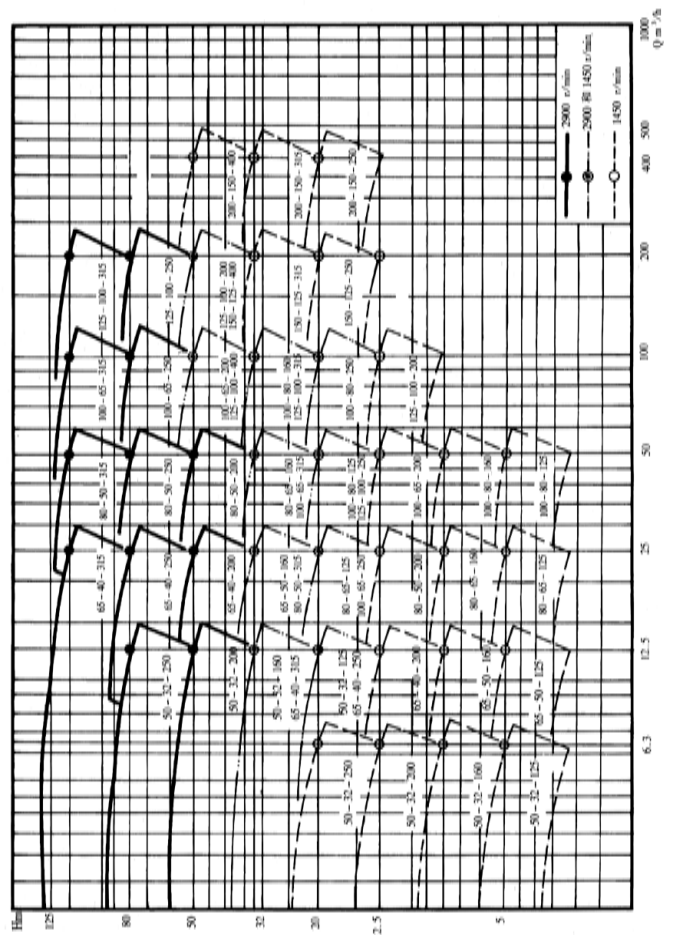
材料 Material	ZG2Cr13	ZG1Cr18Ni9	ZG1Cr18Ni9Ti	ZG00Cr18Ni9	ZG1Cr18Ni12Mo2Ti
代号 code		304	305	304L	316
材料 Material	ZG00Cr18Ni12Mo2		ZG0Cr20Ni30Mo2Cu3		ZG1Cr24Ni20Mo2Cu3
代号 code	316L		CD-4MCu		K合金
材料 Material	ZG0Cr26Ni5Mo2Cu3	ZG00Ni65Mo28	ZG00Ni65Cu28		
代号 code	20#合金	哈氏B	Monel(蒙乃尔)		

结构图 STRUCTURAL DRAWING



IHG型化工离心泵型谱图

IHG CHEMICAL CENTRIFUGAL PUMP TYPE SPECTRUM



IHG型单级单吸化工离心泵 IHG SINGLE STAGE CHEMICAL PROCESS PUMP

2

性能表 PERFORMANCE TABLE

转速 : 2900

泵型号 Pump Model	流量Capacity Q		扬程Head H (m)	转速 Rotation Speed n (r/min)	功率 Power P(kW)		效率 Efficiency (%)	汽蚀余量 (NPSH)r (m)	叶轮直径 Impeller diameter D ₂ (mm)	
	(m ³ /h)	(l/s)			轴功率 Brake Power	电机功率 Motor Power				
IHG50-32-125	7.5	2.08	23	2900	1.09	2.2	43	2.0	138	
	12.5	3.47	20		1.33		51			2.0
	15.0	4.17	18		1.50		49			2.5
IHG50-32-125A	6.8	1.89	18.8	2900	0.87	1.5	40	2.0	125	
	11.3	3.14	16.4		1.01		50			2.0
	13.6	3.78	14.7		1.16		47			2.5
IHG50-32-160	7.5	2.08	34.5	2900	2.13	3	33	2.0	165	
	12.5	3.47	32		2.37		46			2.0
	15.0	4.17	30		2.45		50			2.5
IHG50-32-160A	6.8	1.89	28.5	2900	1.76	3	30	2.0	150	
	11.3	3.14	26.4		1.85		44			2.0
	13.6	3.78	24.8		1.91		48			2.5
IHG50-32-200	7.5	2.08	51.8	2900	3.78	5.5	28	2.0	195	
	12.5	3.47	50		4.36		39			2.0
	15.0	4.17	48		4.56		43			2.5
IHG50-32-200A	6.8	1.89	42.7	2900	3.16	4	25	2.0	177	
	11.3	3.14	41		3.24		38			2.0
	13.6	3.78	39.5		3.57		41			2.5
IHG50-32-200B	6.5	1.81	39.4	2900	2.5	4	24	2.0	171	
	10.9	3.03	38		2.9		36			2.0
	13.1	3.64	36.5		3.0		40			2.5
IHG50-32-250	7.5	2.08	82	2900	7.28	11	23	2.0	251	
	12.5	3.47	80		8.25		33			2.0
	15.0	4.17	78.5		8.79		36.5			2.5
IHG50-32-250A	7	1.94	71.9	2900	6.84	11	20	2.0	235	
	11.7	3.25	70		6.97		32			2.0
	14	3.89	68.8		7.71		34			2.5
IHG50-32-250B	6.6	1.83	63.6	2900	5.71	7.5	20	2.0	221	
	11	3.06	62		6.19		30			2.0
	13.2	3.67	60.9		6.64		33			2.5
IHG65-50-125	15	4.17	21.3	2900	1.85	3	47	2.0	130	
	25	6.94	20		2.2		62			2.0
	30	8.33	18.6		2.4		63			2.5
IHG65-50-125A	13.6	3.87	17.6	2900	1.48	2.2	44	2.0	118	
	22.7	6.31	16.5		1.67		61			2.0
	27.3	7.58	15.4		1.91		59.9			2.5
IHG65-50-160	15	4.17	34.2	2900	3.18	5.5	44	2.0	168	
	25	6.94	32		3.82		57			2.0
	30	8.33	30		4.15		59			2.5
IHG65-50-160A	13.6	3.78	28.4	2900	2.56	4	41	2.0	153	
	22.7	6.31	26.5		2.93		56			2.0
	27.3	7.58	24.8		3.29		56			2.5
IHG65-40-200	15	4.17	53.2	2900	5.30	11	41	2.0	192	
	25	6.94	50		6.55		52			2.0
	30	8.33	47.6		7.27		53.5			2.5
IHG65-40-200A	13.6	3.78	43.9	2900	4.28	7.5	38	2.0	175	
	22.7	6.31	41		5.07		50			2.0
	27.3	7.58	39.3		5.73		51			2.5
IHG65-40-200B	13	3.61	40.1	2900	3.47	5.5	36	2.0	168	
	21.7	6.03	37.7		4.23		48			2.0
	26	7.23	35.8		4.75		49			2.5
IHG65-40-250	15	4.17	81.2	2900	9.76	15	34	2.0	248	
	25	6.94	80		11.84		46			2.0
	30	8.33	78.4		12.8		50			2.5
IHG65-40-250A	14	3.89	71	2900	8.73	15	31	2.0	232	
	23.4	6.5	74.8		10.6		45			2.0
	28	7.78	68.6		11.13		47			2.5
IHG65-40-250B	13.2	3.67	62.8	2900	7.29	11	31	2.0	218	
	22	6.11	61.8		8.42		44			2.0
	26.4	7.33	53		8.45		45			2.5
IHG65-40-315	15	4.17	126.8	2900	18.5	30	28	2.0	315	
	25	6.94	125		21.8		29			2.0
	30	8.33	124		23.8		42.5			2.5
IHG65-40-315A	14	3.89	111.2	2900	18.1	30	25	2.0	295	
	23.4	6.5	109.5		18.36		38			2.0
	28	7.78	108.8		22.12		40			2.5
IHG65-40-315B	13.2	3.67	98	2900	14.69	22	24	2.0	277	
	22	6.11	96.5		15.63		37			2.0
	26.4	7.33	95.9		17.67		39			2.5
IHG80-65-125	30	8.33	23.2	2900	3.16	5.5	60	3.0	140	
	50	13.9	20		3.95		69			3.0
	60	16.7	17.6		4.29		67			4.0
IHG80-65-125A	27.2	7.56	19.1	2900	2.48	4	57	3.0	127	
	45.3	12.58	16.5		3.04		67			3.0
	54.4	15.12	14.5		3.36		64			4.0
IHG80-65-160	30	8.33	36	2900	5.16	11	57	2.0	168	
	50	13.9	32		6.5		67			2.3
	60	16.7	28.4		7.14		65			3.3
IHG80-65-160A	27.2	7.56	29.7	2900	4.08	7.5	54	2.0	153	
	45.4	12.6	26.4		5.02		65			2.3
	54.4	15.12	23.4		5.59		62			3.3
IHG80-50-200	30	8.33	55.2	2900	8.5	15	53	2.0	204	
	50	13.9	50		10.8		63			2.5
	60	16.7	45.2		11.9		62			3.2

IHG型单级单吸化工离心泵 IHG SINGLE STAGE CHEMICAL PROCESS PUMP

3

性能表 PERFORMANCE TABLE

转速：2900

泵型号 Pump Model	流量Capacity Q		扬程Head H (m)	转速 Rotation Speed n (r/min)	功率 Power P(kW)		效率 Efficiency (%)	汽蚀余量 (NPSH)r (m)	叶轮直径 Impeller diameter D ₂ (mm)	
	(m ³ /h)	(l/s)			轴功率 Brake Power	电机功率 Motor Power				
IHG80-50-200A	27.2	7.56	45.4	2900	6.73	11	50	2.0	185	
	45.3	12.58	41		8.29		61			2.5
	54.4	15.12	37.2		9.35		59			3.2
IHG80-50-200B	30	7.25	41.8	2900	5.6	11	48	2.0	178	
	50	12.08	37.8		7.12		59			2.0
	60	14.5	34.2		7.84		57			3.2
IHG80-50-250	27.2	8.33	84	2900	16	30	43	2.0	252	
	45.3	13.9	80		20.6		53			2.5
	54.4	16.7	75		22.7		54			3.2
IHG80-50-250A	26.1	7.9	75.8	2900	13.7	22	41	2.0	241	
	43.5	13.2	72.2		17.7		52			2.5
	52.2	15.8	67.7		19.5		53			3.2
IHG80-50-250B	30	7.3	65	2900	10.9	18.5	41	2.0	223	
	50	12.2	61.9		14		51			2.5
	60	14.7	58.1		15.5		52			3.2
IHG80-50-315	30	8.33	128	2900	28.1	45	38	2.5	312	
	50	13.9	125		34.1		50			2.5
	60	16.7	123		38		53			3.0
IHG80-50-315A	28.5	7.9	115.5	2900	24.1	37	35	2.5	298	
	47.5	13.2	112.8		29.2		48			2.5
	57	15.8	111		32.6		50			3.0
IHG80-50-315B	26.4	7.3	99.1	2900	19.1	30	34	2.5	278	
	44	12.2	96.8		23.2		47			2.5
	52.8	14.7	95.2		25.9		49			3.0
IHG100-80-125	60	16.7	23.7	2900	5.96	11	65	3	142	
	100	27.8	20		7.47		73			4.2
	120	33.3	16.3		7.72		69			4.8
IHG100-80-125A	55	15.3	19.4	2900	4.68	7.5	62	3	130	
	91.8	25.5	16.8		5.90		71			4.2
	109	30.5	13.7		6.12		67			4.8
IHG100-80-160	60	16.7	37	2900	10.1	15	60	3.8	178	
	100	27.8	32		11.9		73			4.3
	120	33.3	28		12.5		73			5.0
IHG100-80-160A	54.6	15.17	30.6	2900	7.98	15	57	3.8	162	
	91	25.28	26.5		9.25		71			4.3
	109.2	30.34	23.2		9.85		70.4			5.0
IHG100-65-200	60	16.7	56	2900	14.5	30	63	3.4	215	
	100	27.8	50		18.9		72			3.9
	120	33.3	44		20.3		71			5.2
IHG100-65-200A	54.6	15.17	46.5	2900	11.5	18.5	60.1	3.4	196	
	91	25.28	41.5		14.7		70			3.9
	109.2	30.34	36.6		16		68			5.2
IHG100-65-200B	51	14.2	40.5	2900	8.9	15	58	3.4	185	
	85	23.6	36.1		11.6		68			3.9
	102	28.3	31.8		12.5		65			5.2
IHG100-65-250	60	16.7	88	2900	25.2	45	57	3.0	259	
	100	27.8	80		32		68			3.6
	120	33.3	74		36.1		67			4.5
IHG100-65-250A	56.1	15.58	77	2900	21.8	37	54	3.0	242	
	93.5	25.97	70		27.4		65			3.6
	112.2	31.16	64.7		30.9		64			4.5
IHG100-65-250B	52.7	14.64	67.9	2900	18.3	30	53.3	3.0	228	
	87.8	24.39	61.7		23.1		64			3.6
	105.4	29.28	57		26		62.9			4.5
IHG100-65-315	60	16.7	132	2900	44.9	75	48	2.8	300	
	100	27.8	125		54.9		62			3.2
	120	33.8	119		60.8		64			4.2
IHG100-65-315A	56.1	15.58	115.5	2900	39.2	75	45	2.8	280	
	93.5	25.97	109		45.5		61			3.2
	112.2	31.16	104		52.1		61			4.2
IHG100-65-315B	52.7	14.64	102	2900	33.3	55	44	2.8	264	
	88	24.44	97		38.7		60			3.2
	105.4	29.28	92		44		60			4.2
IHG125-100-200	120	33.3	61	2900	29.3	45	68	4.5	223	
	200	55.6	50		35.4		77			5.0
	240	66.7	41		38.3		70			5.8
IHG125-100-200A	109.1	30.3	50.5	2900	23.1	37	64.9	4.5	203	
	182	50.56	41.4		27.4		75			5.0
	218.2	60.6	34		30.1		67.1			5.8
IHG125-100-200B	102	28.3	44.1	2900	18	30	62	4.5	192	
	170	47.2	36.1		21.7		72			5.0
	204	56.7	29.6		23.5		65			5.8
IHG125-100-250	120	33.3	90	2900	47.4	75	62	3.7	266	
	200	55.6	80		58.1		75			4.5
	240	66.7	73		64.5		74			5.5
IHG125-100-250A	112	31.1	78	2900	40.3	75	59	3.7	248	
	186.5	51.8	69.5		48.35		73			4.5
	224	62.2	63.5		54.5		71			5.5
IHG125-100-250B	105.5	29.3	69	2900	34.2	55	58	3.7	233	
	175.5	48.75	61.5		41.4		71			4.5
	211	58.6	56		46		69.9			5.5
IHG125-100-315	120	33.3	132.5	2900	65.3	110	52.6	4.0	328	
	200	55.6	125		94.6		72			4.5
	240	66.7	120		103		75			5.0

IHG型单级单吸化工离心泵 IHG SINGLE STAGE CHEMICAL PROCESS PUMP

4

性能表 PERFORMANCE TABLE

转速 : 2900

泵型号 Pump Model	流量 Capacity Q		扬程 Head H (m)	转速 Rotation Speed n (r/min)	功率 Power P(kW)		效率 Efficiency (%)	汽蚀余量 (NPSH)r (m)	叶轮直径 Impeller diameter D ₂ (mm)	
	(m ³ /h)	(l/s)			轴功率 Brake Power	电机功率 Motor Power				
IHG125-100-315A	110.4	30.7	112.1	2900	50.8	90	50	4.0	305	
	184	51.1	105.8		73.7		70			4.5
	220.8	61.3	101.6		80.2		72			4.5
IHG125-100-315B	102	28.3	95.7	2900	40.1	75	48	4.0	283	
	170	47.2	90.3		58.1		68			4.5
	204	56.7	86.7		63.2		70			5.0

转速 : 1450

泵型号 Pump Model	流量 Capacity Q		扬程 Head H (m)	转速 Rotation Speed n (r/min)	功率 Power P(kW)		效率 Efficiency (%)	汽蚀余量 (NPSH)r (m)	叶轮直径 Impeller diameter D ₂ (mm)	
	(m ³ /h)	(l/s)			轴功率 Brake Power	电机功率 Motor Power				
IHG50-32-125	3.75	1.04	5.57	1450	0.16	0.55	36	2.0	138	
	6.3	1.74	5.0		0.19		45			2.0
	7.5	2.08	4.5		0.21		44			2.5
IHG50-32-125A	3.4	0.94	4.7	1450	0.13	0.55	33.3	2.0	125	
	5.7	1.59	4.1		0.149		43			2.0
	6.8	1.89	3.7		0.163		42			2.5
IHG50-32-160	3.75	1.04	8.6	1450	0.30	0.55	29	2.0	165	
	6.3	1.74	8.0		0.34		40			2.0
	7.5	2.08	7.5		0.36		43			2.5
IHG50-32-160A	3.4	0.94	7.1	1450	0.253	0.55	25.9	2.0	150	
	5.7	1.59	6.6		0.277		37.1			2.0
	6.8	1.89	6.2		0.280		41			2.5
IHG50-32-200	3.75	1.04	12.9	1450	0.57	1.1	23	2.0	195	
	6.3	1.74	12.5		0.65		33			2.0
	7.5	2.08	12		0.68		36			2.5
IHG50-32-200A	3.4	0.94	10.6	1450	0.488	0.75	20	2.0	177	
	5.7	1.59	10.3		0.516		31			2.0
	6.8	1.89	9.9		0.540		34			2.5
IHG50-32-250	3.75	1.04	20.5	1450	1.23	2.2	17	2.0	251	
	6.3	1.74	20		1.27		27			2.0
	7.5	2.08	19.6		1.29		31			2.5
IHG50-32-250A	3.51	0.98	18	1450	1.12	1.5	15.4	2.0	235	
	5.9	1.64	17.5		1.125		25			2.0
	7.02	1.95	17.2		1.18		27.9			2.5
IHG50-32-250B	3.3	0.92	15.9	1450	0.71	1.1	14	2.0	221	
	5.5	1.53	15.5		0.77		23			2.0
	6.6	1.84	15.2		0.83		25			2.5
IHG65-50-125	7.5	2.08	5.4	1450	0.25	0.55	44	2.0	130	
	12.5	3.47	5		0.31		55			2.0
	15	4.17	4.5		0.33		56			2.5
IHG65-50-125A	6.8	1.89	4.5	1450	0.203	0.55	41	2.0	118	
	11.3	3.14	4.1		0.234		54			2.0
	13.6	3.78	3.7		0.253		53			2.5
IHG65-50-160	7.5	2.08	8.55	1450	0.45	0.75	39	2.0	168	
	12.5	3.47	8		0.53		51			2.0
	15	4.17	7.5		0.58		52.5			2.5
IHG65-50-160A	6.8	1.89	7.09	1450	0.37	0.55	35.5	2.0	153	
	11.3	3.14	6.6		0.41		49.6			2.0
	13.6	3.78	6.2		0.46		49.9			2.5
IHG65-40-200	7.5	2.08	13.3	1450	0.78	1.5	35	2.0	192	
	12.5	3.47	12.5		0.93		46			2.0
	15	4.17	11.9		1.02		47.5			2.5
IHG65-40-200A	6.8	1.89	11	1450	0.64	1.1	31.8	2.0	175	
	11.3	3.14	10.3		0.72		44			2.0
	13.6	3.78	9.8		0.81		44.8			2.5
IHG65-40-250	7.5	2.08	20.3	1450	1.48	3	28	2.0	248	
	12.5	3.47	20		1.75		39			2.0
	15	4.17	19.6		1.86		43			2.5
IHG65-40-250A	7.0	1.94	17.8	1450	1.35	2.2	25	2.0	232	
	11.7	3.25	17.5		1.47		37.9			2.0
	14.0	3.89	17.2		1.64		40			2.5
IHG65-40-250B	6.6	1.84	15.7	1450	0.91	1.5	24	2.0	218	
	11	3.06	15.5		1.05		36			2.0
	13.2	3.67	13.3		1.06		38			2.5
IHG65-40-315	7.5	2.08	32.4	1450	3.0	5.5	22	2.0	315	
	12.5	3.47	35		3.3		33			2.0
	15.0	4.17	31.7		3.5		37			2.5
IHG65-40-315A	7.0	1.94	28.4	1450	2.84	4	19	2.0	295	
	11.7	3.25	28.0		2.878		31			2.0
	14.0	3.89	27.8		3.12		34			2.5
IHG65-40-315B	6.6	1.84	24.5	1450	1.84	3	17	2.0	277	
	11	3.06	24.1		1.95		30			2.0
	13.2	3.67	23.9		2.21		32			2.5
IHG80-65-125	15	4.17	5.8	1450	0.44	1.75	54	2.5	140	
	25	6.94	5.0		0.53		64			2.5
	30	8.33	4.4		0.58		62			3.0
IHG80-65-125A	13.6	3.78	4.8	1450	0.349	0.55	51	2.5	127	
	22.6	6.28	4.1		0.407		62			2.5
	27.2	7.56	3.6		0.452		59			3.0
IHG80-65-160	15	4.17	9	1450	0.74	1.5	50	2.0	168	
	25	6.94	8		0.88		62			2.5
	30	8.33	7.2		0.95		62			3.3

性能表 PERFORMANCE TABLE

转速 : 1450

泵型号 Pump Model	流量 Capacity Q		扬程 Head H (m)	转速 Rotation Speed n (r/min)	功率 Power P(kW)		效率 Efficiency (%)	汽蚀余量 (NPSH)r (m)	叶轮直径 Impeller diameter D ₂ (mm)
	(m ³ /h)	(l/s)			轴功率 Brake Power	电机功率 Motor Power			
IHG80-65-160A	13.6	3.78	7.4	1450	0.58	1.1	47.3	2.0	153
	22.7	6.31	6.6		0.68		60	2.3	
	27.2	7.56	5.9		0.74		59	3.3	
IHG80-50-200	15	4.17	13.5	1450	1.25	2.2	44	2.0	204
	25	6.94	12.5		1.49		57	2.0	
	30	8.33	11.5		1.6		58	2.5	
IHG80-50-200A	13.6	3.78	11.1	1450	1.0	2.2	41	2.0	185
	22.7	6.31	10.3		1.135		56.1	2.0	
	27.2	7.56	9.5		1.28		55	2.5	
IHG80-50-200B	13.1	3.63	10.5	1450	0.7	1.5	39	2.0	178
	21.8	6.04	9.45		0.89		54	2.0	
	26.1	7.3	8.55		0.98		52	2.5	
IHG80-50-250	15	4.7	21	1450	2.15	5.5	40	2.0	252
	25	6.94	20		2.72		50	2.0	
	30	8.33	18.8		3.01		51	2.5	
IHG80-50-250A	14.3	3.95	19	1450	1.71	3	38	2.0	241
	23.8	6.6	18.1		2.21		49	2.0	
	28.5	7.9	16.9		2.44		50	2.5	
IHG80-50-250B	13.2	3.7	16.3	1450	1.36	3	37	2.0	223
	22	6.1	15.5		1.75		48	2.0	
	26.4	7.4	14.5		1.94		49	2.5	
IHG80-50-315	15	4.17	32.5	1450	3.59	7.5	37	2.5	312
	25	6.94	32		4.54		46	2.5	
	30	8.33	31.5		4.95		50	3.0	
IHG80-50-315A	14.3	3.95	28.9	1450	3.01	5.5	34	2.5	298
	23.8	6.6	28.2		3.65		44	2.5	
	28.5	7.9	27.8		4.08		47	3.0	
IHG80-50-315B	13.2	3.7	24.8	1450	2.39	4	33	2.5	278
	22	6.1	24.2		2.9		43	2.5	
	26.4	7.4	23.8		3.24		46	3.0	
IHG100-80-125	30	8.33	5.9	1450	0.75	1.5	60	2.5	142
	50	13.9	5		0.93		68	2.5	
	60	16.7	4.1		0.97		64	3.0	
IHG100-80-125A	27.5	7.7	4.8	1450	0.59	1.1	57	2.5	130
	45.9	12.8	4.2		0.74		66	2.5	
	54.5	15.3	3.4		0.77		62	3.0	
IHG100-80-160	30	8.33	9.25	1450	1.3	2.2	58	3.0	178
	50	13.9	8		1.58		69	3.4	
	60	16.7	7		1.68		68	3.7	
IHG100-80-160A	27.3	7.58	7.66	1450	1.03	2.2	55.3	3.0	162
	45.5	12.64	6.6		1.22		67	3.4	
	54.6	15.16	5.8		1.32		65.3	3.7	
IHG100-65-200	30	8.33	14	1450	1.91	4	60	2.5	215
	50	13.9	12.5		2.5		68	2.5	
	60	16.7	11		2.85		63	3.0	
IHG100-65-200A	27.3	7.58	11.6	1450	1.51	3	57	2.5	196
	45.5	12.64	10.3		1.93		66	2.5	
	54.6	15.16	9.1		2.25		60.1	3.0	
IHG100-65-200B	25.5	7.1	10.1	1450	1.11	2.2	55	2.5	185
	42.3	11.8	9		1.45		64	2.5	
	51	14.2	7.95		1.56		57	3.0	
IHG100-65-250	30	8.33	22	1450	3.6	5.5	50	2.5	259
	50	13.9	20		4.3		63	2.5	
	60	16.7	18.5		4.7		64	3.0	
IHG100-65-250A	28	7.79	19.2	1450	3.12	5.5	47	2.5	242
	45.5	12.64	17.4		3.53		61	2.5	
	56	15.58	6.2		4.06		60.9	3.0	
IHG100-65-250B	26.4	7.32	16.9	1450	2.29	4	46	2.5	228
	43.9	12.2	15.4		2.89		60	2.5	
	52.7	14.64	14.25		3.25		50	3.0	
IHG100-65-315	30	8.33	33.5	1450	6.2	11	44	2.0	300
	50	13.9	32		7.5		58	2.0	
	60	16.7	30.5		8.3		60	2.5	
IHG100-65-315A	28	7.79	29.3	1450	5.46	11	41	2.0	280
	46.5	12.92	28		6.33		56	2.0	
	56	15.58	26.7		7.15		57	2.5	
IHG100-65-315B	26.4	7.32	25.5	1450	4.16	7.5	39	2.0	264
	44	12.22	24.3		4.84		54	2.0	
	52.7	14.64	23		5.5		56	2.5	
IHG125-100-200	60	16.7	15.25	1450	3.89	7.5	64	2.5	223
	100	27.8	12.5		4.66		73	2.9	
	120	33.3	10.25		5.08		66	3.6	
IHG125-100-200A	54.7	15.2	12.6	1450	3.08	5.5	61	2.5	203
	91	25.28	10.3		3.6		71	2.9	
	109.4	30.4	8.5		4.02		63	3.6	
IHG125-100-200B	51	14.2	11	1450	2.25	4	59	2.5	192
	85	23.6	9.02		2.71		69	2.9	
	102	28.4	7.4		2.94		60	3.6	
IHG125-100-250	60	16.7	22.5	1450	6.23	11	59	2.0	266
	100	27.8	20		7.56		72	2.3	
	120	33.3	18.25		8.4		71	3.0	
IHG125-100-250A	56	15.56	19.5	1450	5.31	11	56	2.0	248
	93	25.83	17.4		6.29		70	2.3	
	112	31.1	15.9		7.13		68	3.0	

IHG型单级单吸化工离心泵 IHG SINGLE STAGE CHEMICAL PROCESS PUMP

6

性能表 PERFORMANCE TABLE

转速 : 1450

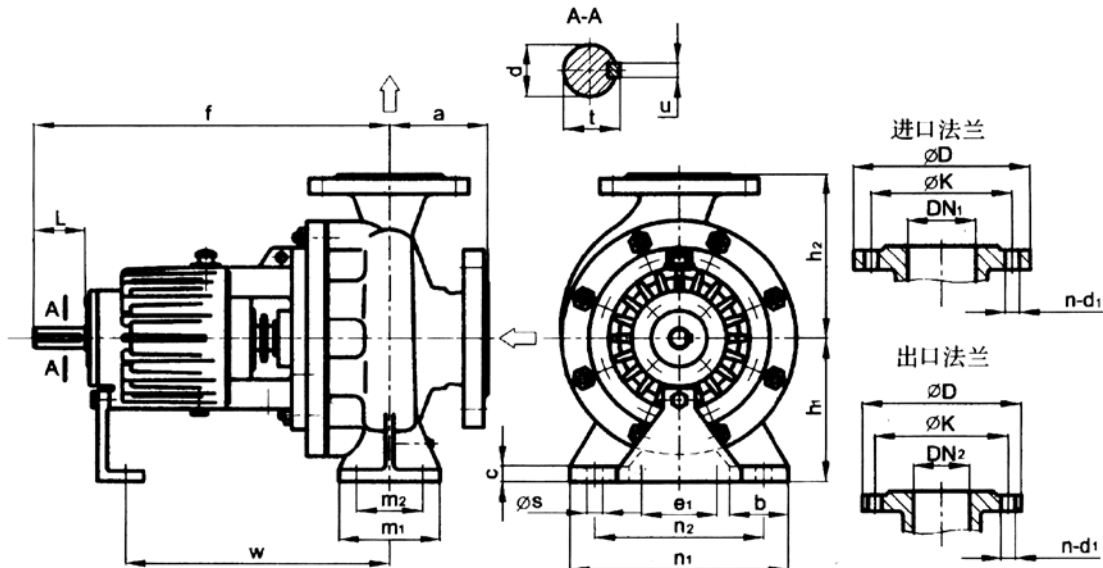
泵型号 Pump Model	流量 Capacity Q		扬程 Head H (m)	转速 Rotation Speed n (r/min)	功率 Power P(kW)		效率 Efficiency (%)	汽蚀余量 (NPSH)r (m)	叶轮直径 Impeller diameter D ₂ (mm)	
	(m ³ /h)	(l/s)			轴功率 Brake Power	电机功率 Motor Power				
IHG125-100-250B	52.8	14.7	17.25	1450	4.28	7.5	55	2.0	233	
	87.8	24.4	15.4		5.18		68			2.3
	105.5	29.3	14		5.25		66			3.0
IHG125-100-315	60	16.7	36.5	1450	10.3	18.5	53	2.5	328	
	100	27.8	32		13.5		65			2.5
	120	33.3	30.5		15.1		66			3.0
IHG125-100-315A	55.2	15.4	28	1450	6.35	15	50	2.5	305	
	92	25.6	26.5		9.21		63			2.5
	110.4	30.7	25.4		10.02		64			3.0
IHG125-100-315B	51	14.2	23.9	1450	5.01	11	48	2.5	283	
	85	23.6	22.6		7.26		62			2.5
	102	28.4	21.7		7.9		62			3.0
IHG125-100-400	60	16.7	52	1450	17.7	30	48	2.5	395	
	100	27.8	50		24.8		55			2.5
	120	33.3	48.5		25.5		62			3.0
IHG125-100-400A	55.2	15.33	44	1450	13.8	30	45	2.5	368	
	92	25.56	42.3		19.3		53			2.5
	110.4	30.67	41		19.9		59			3.0
IHG125-100-400B	51	14.2	37.6	1450	10.9	22	43	2.5	340	
	85	23.6	36.1		15.2		51			2.5
	102	28.3	35		15.7		57			3.0
IHG150-125-250	120	33.3	24.8	1450	12.3	18.5	66	2.5	280	
	200	55.6	20		14.1		77			2.8
	240	66.7	15		14.4		68			3.5
IHG150-125-250A	109.1	30.3	20.5	1450	9.7	15	62.8	2.5	255	
	182	50.56	16.5		10.3		75			2.8
	218.2	60.6	12.4		11.9		65.2			3.5
IHG150-125-250B	102	28.3	17.9	1450	7.6	11	60	2.5	240	
	170	47.2	14.5		8.7		72			2.8
	204	56.7	10.8		8.8		62			3.5
IHG150-125-315	120	33.3	36.3	1450	18.8	30	63	2.5	328	
	200	55.6	32		23.2		75			2.8
	240	66.7	28.5		25.9		72			3.8
IHG150-125-315A	109.1	30.3	30	1450	14.85	22	60	2.5	298	
	182	50.56	25.5		17.32		73			2.8
	218.2	60.6	23.5		20.23		69			3.8
IHG150-125-315B	102	28.3	26.2	1450	11.5	18.5	58	2.5	280	
	170	47.2	23.1		14.2		71			2.8
	204	56.7	20.6		15.9		66			3.8
IHG150-125-400	120	33.3	57.5	1450	30.8	55	61	2.0	420	
	200	55.6	50		38.9		70			2.5
	240	66.7	44		45.6		63			3.0
IHG150-125-400A	109.1	30.3	47.5	1450	24.3	37	58	2.0	382	
	182	50.56	41		29.9		68			2.5
	218.2	60.6	36.5		36.1		60			3.0
IHG150-125-400B	102	28.3	41.5	1450	18.9	30	55	2.0	360	
	170	47.2	36.1		23.9		65			2.5
	204	56.7	31.8		28		57			3.0
IHG200-150-250	240	66.7	23	1450	23.9	45	63	2.5	275	
	400	111.1	20		29.4		74			2.8
	460	127.8	18		34.2		66			3.0
IHG200-150-250A	218.2	60.7	19	1450	18	37	60	2.5	254	
	363	101.1	16.6		22.2		72			2.8
	418	116.3	14.9		25.8		63			3.0
IHG200-150-250B	204	56.7	16.6	1450	14.7	30	58	2.5	238	
	340	94.4	14.5		18.1		70			2.8
	391	108.6	13		21		60			3.0
IHG200-150-315	240	66.7	35.6	1450	34.7	55	67	3.0	328	
	400	111.1	32		44.1		79			3.5
	460	127.8	29.4		47.8		77			4.0
IHG200-150-315A	218.2	60.6	29.4	1450	27.3	45	64	3.0	298	
	363	100.8	25.5		32.7		77			3.5
	418	116.1	24.3		37.4		74			4.0
IHG200-150-315B	204	56.7	25.7	1450	21.3	37	61	3.0	280	
	340	94.4	23.1		27.1		74			3.5
	391	108.6	21.2		29.3		71			4.0
IHG200-150-400	240	66.7	55.8	1450	54.4	90	67	3.0	407	
	400	111.1	50		69.8		78			3.5
	460	127.8	47		78.5		75			4.0
IHG200-150-400A	218.2	60.6	46	1450	42.7	75	64	3.0	370	
	363	100.8	41		53.3		76			3.5
	418	116.1	38.8		61.3		72			4.0
IHG200-150-400B	204	56.7	40.3	1450	33.4	55	61	3.0	346	
	340	94.4	36.1		42.9		74			3.5
	391	108.6	34		48.2		69			4.0
IHG200-150-400C	192	53.3	35.7	1450	27.9	45	59	3.0	330	
	320	88.9	32		35.7		72			3.5
	368	102.2	30.1		40.2		67			4.0

注:表中功率是介质比重 = 1时的功率

Note: power is medium gravity gamma = 1 when power

水泵外形尺寸 PUMP SIZE

型号 Model	DN ₁	DN ₂	a	f	h ₁	h ₂	b	c	e ₁	m ₁	m ₂	n ₁	n ₂	s	w	d	L	t	u	悬架 Suspension		
IHG50-32-125	50	32	80	385	112	140	50	12	110	100	70	190	140	14.5	285	24	50	27.3	8	30		
IHG50-32-160					132	160						240	190									
IHG50-32-200					160	180						240	190									
IHG50-32-250			100	500	180	225	65	16		125	95	320	250		370	32	80	35.3	10		35	
IHG65-50-125	65	50	80	385	112	140	50	15	110	100	70	210	160	14.5	285	24	50	27.3	8	30		
IHG65-50-160					132	160						240	190									
IHG65-40-200					160	180						265	212									
IHG65-40-250		100	500	180	225	65	16	120		95	320	250	370		32	80	35.3	10	35			
IHG65-40-315	40	125	200	250	345	280	240	190	265	212	320	250	345	280	285	24	50	27.3	8	30		
IHG80-65-125	80	65	100	385	132	160	50	15	110	100	70	240	190	14.5	285	24	50	27.3	8	30		
IHG80-65-160					160	180						265	212									
IHG80-50-200					160	200						265	212									
IHG80-50-250		125	500	180	225	65	16	125		95	320	250	370		32	80	35.3	10	35			
IHG80-50-315	50	225	280	345	280	240	190	265	212	320	250	345	280	285	24	50	27.3	8	30			
IHG100-80-125	100	80	100	385	160	180	65	12	110	125	95	280	212	14.5	285	24	50	27.3	8	30		
IHG100-80-160					160	200						320	250									
IHG100-65-200					180	225						320	250									
IHG100-65-250		125	500	200	250	80	16	160		120	360	280	370		32	80	35.3	10	35			
IHG100-65-315	65	530	225	280	400	315	18.5	42	110	45.3	12	50										
IHG125-100-200	125	100	140	530	125	500	200	280	110	160	120	360	280	18.5	370	42	110	45.3	12	50		
IHG125-100-250					225	280	400	315				18.5										
IHG125-100-315					250	315	400	315				17.5										
IHG125-100-400		280	355	100	200	150	500	400		24	32	80	37.3		8	35						
IHG150-125-250	150	125	140	530	250	355	80	20	110	160	120	400	315	18.5	370	42	110	45.3	12	50		
IHG150-125-315					280	355	100	200				150	500								400	24
IHG150-125-400					315	400	200	150				500	400								24	
IHG200-150-250		150	125	140	530	280	375	100		20	110	200	150		500	400	24	370	42		110	45.3
IHG200-150-315	200	150	160	670	315	400	100	20	110	200	150	550	450	24	500	48	110	51.8	14	55		
IHG200-150-400					315	450						550	450									



法兰连接尺寸符合国家标准GB255-81及国际标准ISO208-74PN16(一般用途管法兰连接尺寸)
 Flange connection dimension in line with national standards and GB255-81 international standards ISO208-74PN16 (general purpose pipe flange connection dimension)

DN ₁ , DN ₂	32	40	50	65	80	100	125	150	200
D	140	150	165	185	200	220	250	285	340
K	100	110	125	145	160	180	210	240	295
n - d ₁	4 - 17.5	4 - 17.5	4 - 17.5	4 - 17.5	8 - 17.5	8 - 17.5	8 - 17.5	8 - 22	12 - 22

IHG型化工泵数据表

		离心泵 数据表			文件号			页 码	第1页/共2页			
					工程号			位 号				
					标准号			装置名称				
用 户				地址	泵型式			设备名称				
制造厂					泵型号			数 量	开 台 备 台			
操 作 条 件												
1	输送介质				8	操作状态	连续	间断				
2	介质特性	腐蚀性	磨蚀性		9	进口压力	额定	最大	MPa			
3	固体含量	wt%湿基	粒度	mm	10	出口压力	额定	最大	MPa			
4	温 度	正常	最高	最低	11	汽化压力	MPa					
5	密 度	Kg/m ³			12	额定压差	MPa					
6	粘 度	mPa.S			13	所需扬程	m					
7	流 量	正常	额定	m ³ /h	14	NPSHa	m					
泵 性 能												
15	清水流量	额定	最小连续	m ³ /h	18	效 率	使用点 %					
16	扬 程	选用	最大	m	19	轴 功 率	额定	最大	kW.			
17	NPSHr	(额定流量时)			20	转 速	r/min		极数			
结 构												
21	叶轮	外径	mm	单吸	双吸	33	泵体	支承方式	底脚	中心线	托架	
22		封闭式	半开式	开式		34		部分形式	径向	轴向		
23		承磨环	有	无		35		承磨环	有	无		
24	传动方式	直联	三角皮带	变速箱		36		设计压力	水压试验 MPa			
25	联轴器	弹性柱销	中间隔套			37	接管	D _N (mm)	P _N (Mpa)	方 位		
26	底座	泵驱动机公用	泵驱动机分离			38	进口			水平	垂直	
27	泵转向(从联轴器端看)	顺时针	逆时针			39	出口			水平	垂直	
28	机械密封	型号	轴套外径		mm	40	轴承	径向	滚动式	滑动式		
29		单端面	内装式	非平衡型		41		止推	滚动式	滑动式		
30		双端面	外装式	平衡型		42		润滑方式	油 脂	压力润滑	油浴润滑	
31		制造厂				43		水冷夹套	无	有		
32	填料密封	有副叶轮	无副叶轮					密封	停车密封			
材 料												
44	泵体	叶轮			47	机械密封	动环	静环				
45	轴	轴套			48		辅助密封环	弹簧				
46	承磨环(泵体/叶轮)				49	填料密封	填料	水封环				
辅 助 管 路												
50	轴封管路	代号	(按GB3215-82)			53	冷却水	流量	m ³ /h			
51	轴 封	名称				54		压力	进水	回水	MPa	
52	冲 洗 液	流量	m ³ /h	压力	MPa	55		温度	进	出		

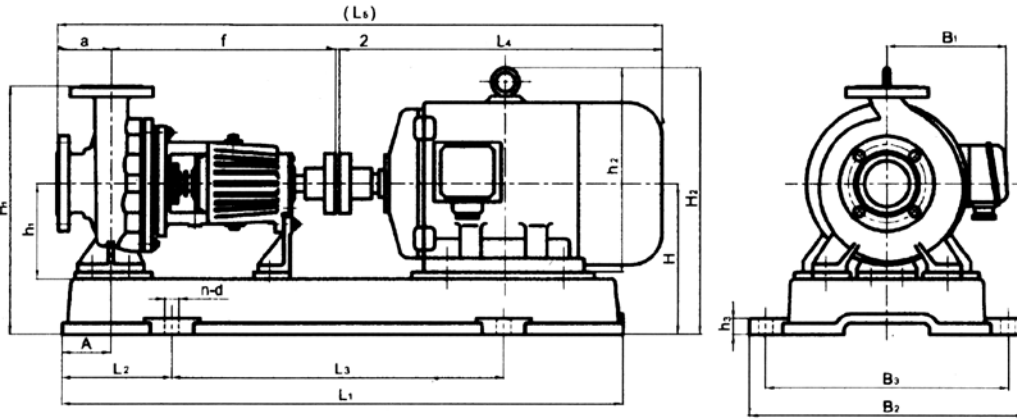
		离心泵 数据表		文件号		页 码	第2页共2页
				工程号		位 号	
				泵型号		装置名称	
立 式 泵							
56	槽深	mm	58	泵底板至吸入口	mm		
57	最小必需浸深	mm	59	吸入口到槽底	mm		
电 动 机							
60	型号	额定功率 kW	62	转速	r/min	防爆等级	
61	电压 380V	V, 相数 单相 3相	63	防护等级IP		绝缘等级	
试 验 和 检 验							
64	机械运转试验		66	性能试验			
65	水压试验		67	汽蚀试验			
68	特殊要求：						
供 货 范 围							
69	泵 驱动器 联轴器及护罩		74				
70	底座 地脚螺栓		75				
71	随机备件：						
72	轴封管路内容：						
73	两年备件内容：						
其 它							
76	重量 Kg	泵 电动 底座	79	外形尺寸	长 宽 高	mm	
77		传动装置 最大维修件重	80	现场安装	室内	室外	
78		总计	81				
2							
1							
0				日期	填 表	校 核	审 核
版次	日期	编制	校核	审核	广州市第一水泵厂填写栏		

IHG CHEMICAL PROCESS PUMP DATA SHEET

		Centrifugal pump data sheet		File number		Page number	Page 1/2 pages
				Project number		Position number	
				Standard number		Packing name	
User		Address		Pump type		Device name	
Manufacturer					Pump model		Number
OPERATION CONDITIONS							
1	Medium			8	Operation	Continuous	Intermediate
2	Medium characteristic	Corrosive	Abrasion resistance	9	Inlet pressure	Rated:	Max.: Mpa
3	Solid contain	wt%	particles	10	Outlet pressure	Rated:	Max.: Mpa
4	Temperature	Max.:	Normal:	11	Vaporization pressure		MPa
5	Density			12	Pressure difference		MPa
6	Viscosity			13	Head		m
7	Flow	Normal:	rated:	14	NPSHa		m
PUMP PERFORMANCE							
15	Water flow			18	Efficiency		%
16	Head			19	Shaft power		kW.
17	NPSHr			20	speed	r/min	Pole
CONSTRUCTION							
21	Impeller	Dia: mm	Single suction	33	Pump casing	Support	feet 中心线 bracket
22		Close type	Semi open type	34		Radial	axial
23		Wear rin	with	35		Wear rin	with without
24	Drive type	Straight joint	V - belt Others	36		Design pressure:	MPa
25	Coupling	Flexible	Others	37	Connection pipe	D _N (mm)	P _N (Mpa)
26	Base plate	Common	or separate	38	Inlet		Flat Vertical
27	Rotation	Clockwise	Anti - clockwise	39	Outlet		Flat Vertical
28	Mechanical seal	Type:	Shaft sleeve dia. mm	40	bearing	Radial	rolling siding
29		Single acting		41		Anti - thrust	rolling siding
30		Double acting		42		Lubrication	oil grease
31		manufacturer		43		cooling clamp	with without
32	填料密封	有副叶轮	无副叶轮		密封	停车密封	
MATERIAL							
44	Casing:	Impeller:		47	Mechanical seal		
45	Shaft:	Shaft sleeve:		48			
46	Wear ring			49	Packing seal		
PIPELINES							
50	Shaft seal pipeline	Code	(GB3215 - 82)	53	Cooling water	Flow:	m ³ /h
51	Shaft seal	Name		54		Pressure:	MPa
52	Flushing liquid	Flow:	m ³ /h	55		Temperature:	

		离心泵 数据表		文件号		页 码	第2页共2页
				工程号		位 号	
				泵型号		装置名称	
立 式 泵							
56	槽深	mm	58	泵底板至吸入口	mm		
57	最小必需浸深	mm	59	吸入口到槽底	mm		
MOTOR							
60	Model:	Power:	Kw	62	Speed:	Anti - explosive degree:	r/min
61	Voltage:	Phase:		63	Protection degree:	Insulation degree:	
TEST							
64	Running test		66	Performance test			
65	Hydraulic test		67	Cavitation test			
68	特殊要求：						
供 货 范 围							
69	泵 驱动器 联轴器及护罩		74				
70	底座 地脚螺栓		75				
71	随机备件：						
72	轴封管路内容：						
73	两年备件内容：						
其 它							
76	重量 Kg	泵 电动 底座	79	外形尺寸	长 宽 高	mm	
77		传动装置 最大维修件重	80	现场安装	室内 室外		
78		总计	81				
2							
1							
0				日期	填 表	校 核	审 核
版次	日期	编制	校核	审核	广州市第一水泵厂填写栏		

水泵机组外形及安装尺寸 PUMP UNIT OUTLINE AND MOUNTING DIMENSIONS



注:均配有Y型电动机
Note: all equipped with Y type motor

50/60Hz 2900/3450r/min

单位:毫米
unit:(mm)

泵型号 Pump Model	电机型号 Motor model	A	a	f	L ₁	L ₂	L ₃	L ₄	L ₅	B ₁	B ₂	B ₃	h ₁	h ₂	h ₃	H	H ₁	H ₂	n-d
IHG50-32-125	Y ₂ -90L-2(B3)-2.2	80	80	389	790	170	490	355	831	155	390	350	112	190	25	187	327	287	4- 18.5
IHG50-32-125A	Y ₂ -90S-2(B3)-1.5	80	80	389	790	170	490	330	806	155	390	350	112	190	25	187	327	287	4- 18.5
IHG50-32-160	Y ₂ -100L-2(B3)-3	78.5	80	389	845	150	520	395	871	180	390	350	132	245	25	202	362	347	4- 20
IHG50-32-160A	Y ₂ -100L-2(B3)-3	78.5	80	389	845	150	520	395	871	180	390	350	132	245	25	202	362	347	4- 20
IHG50-32-200	Y ₂ -132S ₁ -2(B3)-5.5	78.5	80	389	845	150	520	480	956	210	390	350	160	315	25	230	410	413	4- 20
IHG50-32-200A	Y ₂ -112M-2(B3)-4	80	80	389	790	170	490	410	886	190	390	350	160	265	20	215	395	368	4- 18.5
IHG50-32-200B	Y ₂ -112M-2(B3)-4	80	80	389	790	170	490	410	886	190	390	350	160	265	20	215	395	368	4- 18.5
IHG50-32-250	Y ₂ -160M ₁ -2(B3)-11	110	100	500	1170	225	740	628	1235	225	540	490	180	385	30	270	495	495	4- 24
IHG50-32-250A	Y ₂ -160M ₁ -2(B3)-11	110	100	500	1170	225	740	628	1235	225	540	490	180	385	30	270	495	495	4- 24
IHG50-32-250B	Y ₂ -132S ₂ -2(B3)-7.5	110	100	500	1170	225	740	483	1090	210	540	490	180	315	30	242	495	425	4- 24
IHG65-50-125	Y ₂ -100L-2(B3)-3	80	80	389	790	170	490	395	871	180	390	350	112	245	25	159	327	397	4- 18.5
IHG65-50-125A	Y ₂ -90L-2(B3)-2.2	80	80	389	790	170	490	355	831	155	390	350	112	190	25	187	327	351	4- 18.5
IHG65-50-160	Y ₂ -132S ₁ -2(B3)-5.5	65.5	80	389	822	150	520	480	956	210	390	350	132	315	25	202	362	385	4- 20
IHG65-50-160A	Y ₂ -112M-2(B3)-4	80	80	389	790	170	490	410	886	190	390	350	132	265	25	207	367	360	4- 18.5
IHG65-40-200	Y ₂ -160M ₁ -2(B3)-11	110	100	393	1008	184	640	628	1126	255	460	420	160	385	30	270	450	495	4- 19
IHG65-40-200A	Y ₂ -132S ₂ -2(B3)-7.5	78.5	100	393	845	150	520	480	978	210	390	350	160	315	25	230	410	413	4- 20
IHG65-40-200B	Y ₂ -132S ₁ -2(B3)-5.5	78.5	100	393	845	150	520	480	978	210	390	350	160	315	25	230	410	413	4- 20
IHG65-40-250	Y ₂ -160M ₂ -2(B3)-15	110	100	505	1170	225	740	628	1235	255	540	490	180	385	30	270	495	495	4- 24
IHG65-40-250A	Y ₂ -160M ₂ -2(B3)-15	110	100	505	1170	225	740	628	1235	255	540	490	180	385	30	270	495	495	4- 24
IHG65-40-250B	Y ₂ -160M ₁ -2(B3)-11	110	100	505	1170	225	740	628	1235	255	540	490	180	385	30	270	495	495	4- 24
IHG65-40-315	Y ₂ -200L ₁ -2(B3)-30	115	125	505	1280	250	830	785	1417	305	610	550	200	475	30	330	580	630	4- 28
IHG65-40-315A	Y ₂ -200L ₁ -2(B3)-30	115	125	505	1280	250	830	785	1417	305	610	550	200	475	30	355	580	630	4- 28
IHG65-40-315B	Y ₂ -180M-2(B3)-2.2	110	125	505	1170	225	740	715	1347	280	540	490	200	430	30	290	540	540	4- 24
IHG80-65-125	Y ₂ -132S ₁ -2(B3)-5.5	65.5	100	394	822	150	520	480	976	210	390	350	132	315	25	202	362	385	4- 20
IHG80-65-125A	Y ₂ -112M-2(B3)-4	80	100	394	790	170	490	410	906	190	390	350	132	265	25	207	367	360	4- 18.5
IHG80-65-160	Y ₂ -160M ₁ -2(B3)-11	110	100	390	1008	184	640	628	1120	255	460	420	160	385	30	270	450	495	4- 19
IHG80-65-160A	Y ₂ -132S ₂ -2(B3)-7.5	78.5	100	390	845	150	520	480	972	210	390	350	160	315	25	230	410	413	4- 20
IHG80-50-200	Y ₂ -160M ₂ -2(B3)-15	110	100	390	1008	184	640	628	1120	255	460	420	160	385	30	270	470	495	4- 19
IHG80-50-200A	Y ₂ -160M ₂ -2(B3)-15	110	100	390	1008	184	640	628	1120	255	460	420	160	385	30	270	470	495	4- 19
IHG80-50-200B	Y ₂ -160M ₂ -2(B3)-15	110	100	390	1008	184	640	628	1120	255	460	420	160	385	30	270	470	495	4- 19
IHG80-50-250	Y ₂ -200L-2(B3)-30	115	125	505	1280	250	830	785	1417	305	610	550	180	475	30	355	535	585	4- 28
IHG80-50-250A	Y ₂ -180M-2(B3)-2.2	95	125	505	1160	225	740	715	1347	280	540	490	180	430	30	270	495	520	4- 24
IHG80-50-250B	Y ₂ -160L-2(B3)-18.5	110	125	505	1170	225	740	683	1315	255	540	490	180	385	30	270	495	495	4- 24
IHG80-50-315	Y ₂ -225M-2(B3)-45	115	125	505	1280	250	830	835	1467	335	610	550	225	530	30	355	635	660	4- 28
IHG80-50-315A	Y ₂ -200L ₂ -2(B3)-37	115	125	505	1280	250	830	785	1417	305	610	550	225	475	30	355	635	630	4- 28
IHG80-50-315B	Y ₂ -200L ₁ -2(B3)-30	115	125	505	1280	250	830	785	1417	305	610	550	225	475	30	355	635	630	4- 28
IHG100-80-125	Y ₂ -160M ₁ -2(B3)-11	110	100	394	1008	184	640	628	1124	255	460	420	160	385	30	270	450	495	4- 19
IHG100-80-125A	Y ₂ -132S ₂ -2(B3)-7.5	78.5	100	394	845	150	520	480	976	210	390	350	160	315	25	230	410	413	4- 20
IHG100-80-160	Y ₂ -160M ₂ -2(B3)-15	95	100	508	1160	225	740	628	1238	255	540	490	160	385	30	250	450	475	4- 24
IHG100-80-160A	Y ₂ -160M ₂ -2(B3)-15	95	100	508	1160	225	740	628	1238	255	540	490	160	385	30	250	450	475	4- 24
IHG100-65-200	Y ₂ -200L ₁ -2(B3)-30	90	100	508	1200	225	740	785	1395	305	560	490	180	475	15	270	495	545	4- 24
IHG100-65-200A	Y ₂ -160L-2(B3)-18.5	110	100	508	1170	225	740	683	1293	255	540	490	180	385	30	270	495	495	4- 24
IHG100-65-200B	Y ₂ -160M ₂ -2(B3)-15	110	100	508	1170	225	740	628	1238	255	540	490	180	385	30	270	495	495	4- 24
IHG100-65-250	Y ₂ -225M-2(B3)-45	115	125	505	1280	250	830	835	1467	335	610	550	200	530	30	355	580	660	4- 28
IHG100-65-250A	Y ₂ -200L ₂ -2(B3)-37	115	125	505	1280	250	830	785	1417	305	610	550	200	475	30	330	580	605	4- 28
IHG100-65-250B	Y ₂ -200L ₁ -2(B3)-30	115	125	505	1280	250	830	785	1417	305	610	550	200	475	30	330	580	605	4- 28
IHG100-65-315	Y ₂ -280S-2(B3)-75	110	125	530	1600	320	1070	985	1642	410	800	740	225	640	40	425	705	775	4- 28
IHG100-65-315A	Y ₂ -280S-2(B3)-75	110	125	530	1600	320	1070	985	1642	410	800	740	225	640	40	425	705	775	4- 28
IHG100-65-315B	Y ₂ -250M-2(B3)-55	110	125	530	1420	290	870	915	1572	370	660	600	225	575	40	375	655	700	4- 28
IHG125-100-200	Y ₂ -225M-2(B3)-45	110	125	508	1420	290	870	835	1470	335	660	600	200	530	40	350	630	655	4- 28

IHG型单级单吸化工离心泵 IHG SINGLE STAGE CHEMICAL PROCESS PUMP

13

50/60Hz 2900/3450r/min

单位:毫米 unit:(mm)

泵型号 Pump Model	电机型号 Moter model	A	a	f	L ₁	L ₂	L ₃	L ₄	L ₅	B ₁	B ₂	B ₃	h ₁	h ₂	h ₃	H	H ₁	H ₂	n-d
IHG125-100-200A	Y ₂ -200L ₂ -2(B3)-37	115	125	508	1280	250	830	785	1420	305	610	550	200	475	30	330	610	605	4- 28
IHG125-100-200B	Y ₂ -200L ₁ -2(B3)-30	115	125	508	1280	250	830	785	1420	305	610	550	200	475	30	330	610	605	4- 28
IHG125-100-250	Y ₂ -280S-2(B3)-75	110	140	530	1600	320	1070	985	1657	410	800	740	225	640	40	425	705	775	4- 28
IHG125-100-250A	Y ₂ -280S-2(B3)-75	110	140	530	1600	320	1070	985	1657	410	800	740	225	640	40	425	705	775	4- 28
IHG125-100-250B	Y ₂ -250M-2(B3)-55	110	140	530	1420	290	870	915	1587	370	660	600	225	575	40	375	655	700	4- 28
IHG125-100-315	Y ₂ -315S-2(B3)-110	110	140	531.5	1600	320	1070	1190	1863.5	530	800	740	250	865	40	450	765	1000	4- 28
IHG125-100-315A	Y ₂ -280M-2(B3)-90	110	140	531.5	1600	320	1070	1035	1708.5	410	800	740	250	640	40	425	765	775	4- 28
IHG125-100-315B	Y ₂ -280S-2(B3)-75	110	140	531.5	1600	320	1070	985	1658.5	410	800	740	250	640	40	425	765	775	4- 28

50/60Hz 1450/1725r/min

单位:毫米 unit:(mm)

泵型号 Pump Model	电机型号 Moter model	A	a	f	L ₁	L ₂	L ₃	L ₄	L ₅	B ₁	B ₂	B ₃	h ₁	h ₂	h ₃	H	H ₁	H ₂	n-d
IHG50-32-125	Y ₂ -801-4(B3)-0.55	80	80	394	790	170	490	305	781	145	390	350	112	170	25	187	327	277	4- 18.5
IHG50-32-125A	Y ₂ -801-4(B3)-0.55	80	80	394	790	170	490	305	781	145	390	350	112	170	25	187	327	277	4- 18.5
IHG50-32-160	Y ₂ -801-4(B3)-0.55	80	80	394	790	170	490	305	781	145	390	350	132	170	20	187	347	277	4- 18.5
IHG50-32-160A	Y ₂ -801-4(B3)-0.55	80	80	394	790	170	490	305	781	145	390	350	132	170	20	187	347	277	4- 18.5
IHG50-32-200	Y ₂ -90S-4(B3)-1.1	80	80	394	790	170	490	330	806	155	390	350	160	190	20	215	395	315	4- 18.5
IHG50-32-200A	Y ₂ -802-4(B3)-0.75	80	80	394	790	170	490	305	781	145	390	350	160	170	20	215	395	305	4- 18.5
IHG50-32-250	Y ₂ -100L1-4(B3)-2.2	95	100	505	916	190	570	395	1002	180	470	420	180	245	25	255	480	400	4- 24
IHG50-32-250A	Y ₂ -90L-4(B3)-1.5	95	100	505	916	190	570	355	962	155	470	420	180	190	25	255	480	355	4- 24
IHG50-32-250B	Y ₂ -90S-4(B3)-1.1	95	100	505	916	190	570	330	937	155	470	420	180	190	25	255	480	355	4- 24
IHG65-50-125	Y ₂ -801-4(B3)-0.55	80	80	394	790	170	490	305	781	145	390	350	112	170	25	187	327	277	4- 18.5
IHG65-50-125A	Y ₂ -801-4(B3)-0.55	80	80	394	790	170	490	305	781	145	390	350	112	170	25	187	327	277	4- 18.5
IHG65-50-160	Y ₂ -802-4(B3)-0.75	80	80	394	790	170	490	305	781	145	390	350	132	170	20	187	347	277	4- 18.5
IHG65-50-160A	Y ₂ -801-4(B3)-0.55	80	80	394	790	170	490	305	781	145	390	350	132	170	20	187	347	277	4- 18.5
IHG65-40-200	Y ₂ -90L-4(B3)-1.5	80	103	393	790	170	490	355	853	155	390	350	160	190	20	215	395	315	4- 18.5
IHG65-40-200A	Y ₂ -90S-4(B3)-1.1	80	103	393	790	170	490	330	828	155	390	350	160	190	20	215	395	315	4- 18.5
IHG65-40-250	Y ₂ -100L2-4(B3)-3	95	100	505	916	190	570	395	1002	180	470	420	180	245	25	255	480	400	4- 24
IHG65-40-250A	Y ₂ -100L1-4(B3)-2.2	95	100	505	916	190	570	395	1002	180	470	420	180	245	25	255	480	400	4- 24
IHG65-40-250B	Y ₂ -90L-4(B3)-1.5	95	100	505	916	190	570	355	962	155	470	420	180	190	25	255	480	355	4- 24
IHG65-40-315	Y ₂ -132S-4(B3)-5.5	95	125	505	916	190	570	480	1112	210	470	420	200	315	25	275	525	458	4- 24
IHG65-40-315A	Y ₂ -112M-4(B3)-4	95	125	505	916	190	570	410	1042	190	470	420	200	265	25	275	525	428	4- 24
IHG65-40-315B	Y ₂ -100L2-4(B3)-3	95	125	505	916	190	570	395	1027	180	470	420	200	245	25	275	525	420	4- 24
IHG80-65-125	Y ₂ -802-4(B3)-0.75	80	100	394	790	170	490	305	801	145	390	350	132	170	20	187	347	277	4- 18.5
IHG80-65-125A	Y ₂ -801-4(B3)-0.55	80	100	394	790	170	490	305	801	145	390	350	132	170	20	187	347	277	4- 18.5
IHG80-65-160	Y ₂ -90L-4(B3)-1.5	80	100	390	790	170	490	355	847	155	390	350	160	190	20	215	395	315	4- 18.5
IHG80-65-160A	Y ₂ -90S-4(B3)-1.1	80	100	390	790	170	490	330	822	155	390	350	160	190	20	215	395	315	4- 18.5
IHG80-50-200	Y ₂ -100L1-4(B3)-2.2	80	100	390	790	170	490	395	887	180	390	350	160	245	20	215	415	360	4- 18.5
IHG80-50-200A	Y ₂ -100L1-4(B3)-2.2	80	100	390	790	170	490	395	887	180	390	350	160	245	20	215	415	360	4- 18.5
IHG80-50-200B	Y ₂ -90L-4(B3)-1.5	80	100	390	790	170	490	355	847	155	390	350	160	190	20	215	415	315	4- 18.5
IHG80-50-250	Y ₂ -132S-4(B3)-5.5	95	125	505	1050	210	630	480	1112	210	490	440	180	315	25	255	480	438	4- 24
IHG80-50-250A	Y ₂ -100L2-4(B3)-3	95	125	505	916	190	570	395	1027	180	470	420	180	245	25	255	480	400	4- 24
IHG80-50-250B	Y ₂ -100L2-4(B3)-3	95	125	505	916	190	570	395	1027	180	470	420	180	245	25	255	480	400	4- 24
IHG80-50-315	Y ₂ -132M-4(B3)-7.5	95	125	505	916	190	570	520	1152	210	470	420	225	315	25	300	580	483	4- 24
IHG80-50-315A	Y ₂ -132S-4(B3)-5.5	95	125	505	916	190	570	480	1112	210	470	420	225	315	25	300	580	483	4- 24
IHG80-50-315B	Y ₂ -112M-4(B3)-4	95	125	505	916	190	570	410	1042	190	470	420	225	265	25	300	580	453	4- 24
IHG100-80-125	Y ₂ -90L-4(B3)-1.5	80	100	394	790	170	490	355	851	155	390	350	160	190	20	215	395	315	4- 18.5
IHG100-80-125A	Y ₂ -90S-4(B3)-1.1	80	100	394	790	170	490	330	826	155	390	350	160	190	20	215	395	315	4- 18.5
IHG100-80-160	Y ₂ -100L1-4(B3)-2.2	105	100	508	1050	210	630	395	1005	180	490	440	160	245	25	235	435	380	4- 24
IHG100-80-160A	Y ₂ -100L1-4(B3)-2.2	105	100	508	1050	210	630	395	1005	180	490	440	160	245	25	235	435	380	4- 24
IHG100-65-200	Y ₂ -112M-4(B3)-4	95	100	508	916	190	570	410	1020	190	470	420	180	265	25	255	480	408	4- 24
IHG100-65-200A	Y ₂ -100L2-4(B3)-3	95	100	508	916	190	570	395	1005	180	470	420	180	245	25	255	480	400	4- 24
IHG100-65-200B	Y ₂ -100L1-4(B3)-2.2	95	100	508	916	190	570	395	1005	180	470	420	180	245	25	255	480	400	4- 24
IHG100-65-250	Y ₂ -132S-4(B3)-5.5	105	125	505	1050	210	630	480	1112	210	490	440	200	315	25	275	525	458	4- 24
IHG100-65-250A	Y ₂ -132S-4(B3)-5.5	105	125	505	1050	210	630	480	1112	210	490	440	200	315	25	275	525	458	4- 24
IHG100-65-250B	Y ₂ -112M-4(B3)-4	95	125	505	916	190	570	410	1042	190	490	420	200	265	25	275	525	428	4- 24
IHG100-65-315	Y ₂ -160M-4(B3)-11	110	125	535	1250	250	830	628	1290	255	610	550	225	385	30	315	595	540	4- 28
IHG100-65-315A	Y ₂ -160M-4(B3)-11	110	125	535	1250	250	830	628	1290	255	610	550	225	385	30	315	595	540	4- 28
IHG100-65-315B	Y ₂ -132M-4(B3)-7.5	110	125	535	1250	250	830	523	1185	210	610	550	225	315	30	315	595	498	4- 28
IHG125-100-200	Y ₂ -132M-4(B3)-7.5	105	125	508	1050	210	630	520	1155	210	490	440	200	315	25	275	555	458	4- 24
IHG125-100-200A	Y ₂ -132S-4(B3)-5.5	105	125	508	1050	210	630	480	1115	210	490	440	200	315	25	275	555	458	4- 24
IHG125-100-200B	Y ₂ -112M-4(B3)-4	95	125	508	916	190	570	410	1045	190	470	420	200	265	25	275	555	428	4- 24
IHG125-100-250	Y ₂ -160M-4(B3)-11	110	140	535	1250	250	830	630	1307	255	610	550	225	385	30	315	595	540	4- 28
IHG125-100-250A	Y ₂ -160M-4(B3)-11	110	140	535	1250	250	830	630	1307	255	610	550	225	385	30	315	595	540	4- 28
IHG125-100-250B	Y ₂ -132S-4(B3)-7.5	110	140	535</															

IHG型单级单吸化工离心泵 IHG SINGLE STAGE CHEMICAL PROCESS PUMP

14

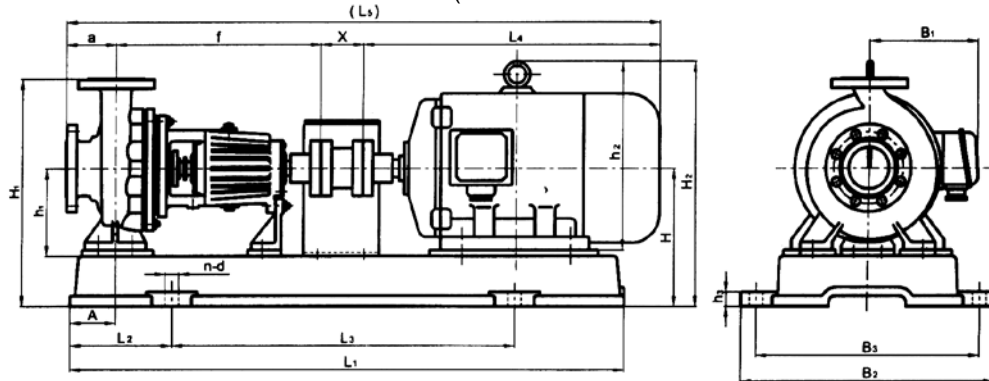
50/60Hz 1450/1725r/min

单位:毫米 unit:(mm)

泵型号 Pump Model	电机型号 Motor model	A	a	f	L ₁	L ₂	L ₃	L ₄	L ₅	B ₁	B ₂	B ₃	h ₁	h ₂	h ₃	H	H ₁	H ₂	n-d
IHG125-100-400B	Y ₂ -180L-4(B3)-22	130	140	535	1310	290	870	755	1432	280	660	600	280	430	30	370	725	620	4- 28
IHG150-125-250	Y ₂ -180M-4(B3)-18.5	110	140	535	1250	250	830	715	1392	280	610	550	250	430	30	340	695	590	4- 28
IHG150-125-250A	Y ₂ -160L-4(B3)-15	110	140	535	1250	250	830	685	1362	255	610	550	250	385	30	340	695	565	4- 28
IHG150-125-250B	Y ₂ -160M-4(B3)-11	110	140	535	1250	250	830	630	1307	255	610	550	250	385	30	340	695	565	4- 28
IHG150-125-315	Y ₂ -200L-4(B3)-30	130	140	535	1430	290	870	785	1462	305	660	600	280	475	40	430	785	705	4- 28
IHG150-125-315A	Y ₂ -180L-4(B3)-22	130	140	535	1310	290	870	755	1432	280	660	600	280	430	30	370	725	620	4- 28
IHG150-125-315B	Y ₂ -180M-4(B3)-18.5	130	140	535	1310	290	870	715	1392	280	660	600	280	430	30	370	725	620	4- 28
IHG150-125-400	Y ₂ -250M-4(B3)-55	130	140	530	1400	290	870	915	1587	370	660	600	315	575	40	465	865	790	4- 28
IHG150-125-400A	Y ₂ -225S-4(B3)-37	130	140	535	1430	290	870	830	1507	335	660	600	315	530	40	465	865	770	4- 28
IHG150-125-400B	Y ₂ -200L-4(B3)-30	130	140	535	1430	290	870	785	1462	305	660	600	315	475	40	465	865	740	4- 28
IHG200-150-250	Y ₂ -225S-4(B3)-37	130	160	536.3	1400	290	870	830	1528.3	335	660	600	280	530	40	430	805	735	4- 28
IHG200-150-250A	Y ₂ -225S-4(B3)-37	130	160	536.3	1400	290	870	830	1528.3	335	660	600	280	530	40	430	805	735	4- 28
IHG200-150-250B	Y ₂ -200L-4(B3)-30	130	160	536.3	1430	290	870	785	1483.3	305	660	600	280	475	40	430	805	705	4- 28
IHG200-150-315	Y ₂ -250M-4(B3)-55	130	160	670	1700	320	1070	915	1747	370	730	670	315	575	40	465	865	790	4- 28
IHG200-150-315A	Y ₂ -225M-4(B3)-45	130	160	675	1510	320	1070	835	1672	335	730	670	315	530	40	465	865	770	4- 28
IHG200-150-315B	Y ₂ -225S-4(B3)-37	130	160	675	1510	320	1070	830	1667	335	730	670	315	530	40	465	865	770	4- 28
IHG200-150-400	Y ₂ -280M-4(B3)-90	130	160	670	1700	320	1070	1035	1867	410	730	670	315	640	40	465	915	820	4- 28
IHG200-150-400A	Y ₂ -280S-4(B3)-75	130	160	670	1700	320	1070	985	1817	410	730	670	315	640	40	465	915	820	4- 28
IHG200-150-400B	Y ₂ -250M-4(B3)-55	130	160	670	1700	320	1070	915	1747	370	730	670	315	575	40	465	915	790	4- 28
IHG200-150-400C	Y ₂ -225M-4(B3)-45	130	160	670	1510	320	1070	835	1672	335	730	670	315	530	40	465	915	790	4- 28

水泵机组外形及安装尺寸(带中间联轴器结构)

PUMP UNIT OUTLINE AND MOUNTING DIMENSIONS(WITH INTERMEDIATE COUPLING STRUCTURE)



注:均配有Y型电动机

Note: all equipped with Y type motor

50/60Hz 2900/3450r/min

单位:毫米

unit:(mm)

泵型号 Pump Model	电机型号 Motor model	A	a	f	L ₁	L ₂	L ₃	L ₄	L ₅	X	B ₁	B ₂	B ₃	h ₁	h ₂	h ₃	H	H ₁	H ₂	n-d
IHG50-32-125	Y90L-2/2.2	80	80	385	920	160	600	385	950	100	155	390	350	112	190	35	177	317	427	4- 18.5
IHG50-32-125A	Y90S-2/1.5	80	80	385	820	140	540	360	925	100	155	360	320	112	190	35	187	327	292	4- 18.5
IHG50-32-160	Y100L-2/3	80	80	385	920	160	600	460	1025	100	190	390	350	132	265	35	197	357	362	4- 18.5
IHG50-32-160A	Y100L-2/3	80	80	385	920	160	600	460	1025	100	190	390	350	132	265	35	197	357	362	4- 18.5
IHG50-32-200	Y132S ₁ -2/5.5	80	80	385	1020	180	660	510	1075	100	210	450	400	160	315	40	240	420	420	4- 18.5
IHG50-32-200A	Y112M-2/4	80	80	385	920	160	600	460	1025	100	190	390	350	160	265	35	225	405	378	4- 18.5
IHG50-32-200B	Y112M-2/4	80	80	385	920	160	600	460	1025	100	190	390	350	160	265	35	225	405	378	4- 18.5
IHG50-32-250	Y160M ₁ -2/11	95	100	500	1270	215	840	655	1355	100	255	450	400	180	385	40	260	485	495	4- 24
IHG50-32-250A	Y160M ₁ -2/11	95	100	500	1270	215	840	655	1355	100	255	450	400	180	385	40	260	485	495	4- 24
IHG50-32-250B	Y132S ₂ -2/7.5	95	100	500	1140	200	740	510	1210	100	210	490	440	180	315	40	260	485	450	4- 24
IHG65-50-125	Y100L-2/3	80	80	385	920	160	600	430	995	100	180	390	350	112	245	35	177	317	332	4- 18.5
IHG65-50-125A	Y90L-2/2.2	80	80	385	920	160	600	385	950	100	155	390	350	112	190	35	177	317	287	4- 18.5
IHG65-50-160	Y132S ₁ -2/5.5	80	80	385	1020	180	660	510	1075	100	210	450	400	132	315	40	212	372	395	4- 24
IHG65-50-160A	Y112M-2/4	80	80	385	920	160	600	460	1025	100	190	390	350	132	265	40	197	357	360	4- 24
IHG65-40-200	Y160M ₁ -2/11	80	100	385	1140	200	740	655	1240	100	255	490	440	160	385	40	240	420	475	4- 24
IHG65-40-200A	Y132S ₂ -2/7.5	80	100	385	1020	180	660	510	1095	100	210	450	400	160	315	40	240	420	465	4- 24
IHG65-40-200B	Y132S ₁ -2/5.5	80	100	385	1020	180	660	510	1095	100	210	450	400	160	315	40	240	420	465	4- 24
IHG65-40-250	Y160M ₂ -2/15	95	100	500	1270	215	840	655	1355	100	255	540	490	180	385	40	260	485	505	4- 24
IHG65-40-250A	Y160M ₂ -2/15	95	100	500	1270	215	840	655	1355	100	255	540	490	180	385	40	260	485	505	4- 24
IHG65-40-250B	Y160M ₁ -2/11	95	100	500	1270	215	840	655	1355	100	255	540	490	180	385	40	260	485	505	4- 24
IHG65-40-315	Y200L ₁ -2/30	95	125	500	1420	240	940	803	1528	100	310	610	550	200	475	50	300	550	575	4- 28
IHG65-40-315A	Y200L ₁ -2/30	95	125	500	1420	240	940	803	1528	100	310	610	550	200	475	50	300	550	575	4- 28
IHG65-40-315B	Y180M-2/22	95	125	500	1270	215	840	730	1455	100	285	540	490	200	430	40	280	530	530	4- 24
IHG80-65-125	Y132S ₁ -2/5.5	80	100	385	1020	180	660	510	1095	100	210	450	400	132	315	40	212	372	395	4- 18.5
IHG80-65-125A	Y112M-2/4	80	100	385	920	160	600	460	1045	100	190	390	350	132	265	35	197	357	360	4- 18.5
IHG80-65-160	Y160M ₁ -2/11	80	100	385	1140	200	740	655	1240	100	255	490	440	160	385	40	240	420	485	4- 24
IHG80-65-160A	Y132S ₂ -2/7.5	80	100	385	1020	180	660	510	1095	100	210	450	400	160	315	40	240	420	423	4- 24
IHG80-50-200	Y160M ₂ -2/15	80	100	385	1140	200	740	655	1240	100	255	490	440	160	385	40	240	440	495	4- 24
IHG80-50-200A	Y160M ₁ -2/11	80	100	385	1140	200	740	655	1240	100	255	490	440	160	385	40	240	440	495	4- 24

IHG型单级单吸化工离心泵 IHG SINGLE STAGE CHEMICAL PROCESS PUMP

15

50/60Hz 2900/3450r/min

单位:毫米 unit:(mm)

泵型号 Pump Model	电机型号 Motor model	A	a	f	L ₁	L ₂	L ₃	L ₄	L ₅	X	B ₁	B ₂	B ₃	h ₁	h ₂	h ₃	H	H ₁	H ₂	n-d
IHG80-50-200B	Y160M ₁ -2/11	80	100	385	1140	200	740	655	1240	100	255	490	440	160	385	40	240	440	495	4-24
IHG80-50-250	Y200L ₂ -2/30	95	125	500	1420	240	940	803	1528	100	310	610	550	180	475	50	300	525	585	4-28
IHG80-50-250A	Y180M-2/22	95	125	500	1270	215	840	695	1455	100	285	540	490	180	430	40	260	485	520	4-24
IHG80-50-250B	Y160L-2/18.5	95	125	500	1270	215	840	695	1420	100	255	540	490	180	385	40	260	485	485	4-24
IHG80-50-315	Y225M-2/45	95	125	500	1420	240	940	803	1565	100	345	610	550	225	530	60	325	605	640	4-28
IHG80-50-315A	Y200L ₂ -2/37	95	125	500	1420	240	940	803	1528	100	310	610	550	225	475	60	325	605	585	4-28
IHG80-50-315B	Y200L ₁ -2/30	95	125	500	1420	240	940	803	1528	100	310	610	550	225	475	60	325	605	585	4-28
IHG100-80-125	Y160M ₁ -2/11	95	100	385	1140	200	740	655	1240	100	255	490	440	160	385	40	240	420	475	4-24
IHG100-80-125A	Y132S ₂ -2/7.5	95	100	385	1020	180	660	510	1095	100	210	450	400	160	315	40	240	420	423	4-24
IHG100-80-160	Y160M ₂ -2/15	95	100	500	1270	215	840	655	1355	100	255	540	490	160	385	40	240	440	475	4-24
IHG100-80-160A	Y160M ₂ -2/15	95	100	500	1270	215	840	655	1355	100	255	540	490	160	385	40	240	440	475	4-24
IHG100-65-200	Y200L ₁ -2/30	95	100	500	1270	240	940	803	1543	140	310	610	550	180	475	60	300	525	645	4-28
IHG100-65-200A	Y160L-2/18.5	95	100	500	1270	215	840	695	1435	140	255	540	490	180	385	40	260	485	485	4-24
IHG100-65-200B	Y160M ₂ -2/15	95	100	500	1270	215	840	695	1435	140	255	540	490	180	385	40	260	485	485	4-24
IHG100-65-250	Y225M-2/45	110	125	500	1420	240	940	870	1635	140	345	610	550	200	530	60	325	575	630	4-28
IHG100-65-250A	Y200L ₂ -2/37	110	125	500	1420	240	940	803	1570	140	310	610	550	200	475	60	300	550	575	4-28
IHG100-65-250B	Y200L ₁ -2/30	110	125	500	1420	240	940	803	1570	140	310	610	550	200	475	60	300	550	575	4-28
IHG100-65-315	Y280S-2/75	110	125	530	1820	310	1200	1010	1805	140	410	730	670	225	640	60	380	660	740	4-28
IHG100-65-315A	Y280S-2/75	110	125	530	1820	310	1200	1010	1805	140	410	730	670	225	640	60	380	660	740	4-28
IHG100-65-315B	Y250M-2/55	110	125	530	1620	280	1060	935	1730	140	385	660	600	225	575	60	350	630	675	4-28
IHG125-100-200	Y225M-2/45	110	125	530	1420	240	940	840	1605	140	345	610	550	200	530	60	325	605	630	4-28
IHG125-100-200A	Y200L ₂ -2/37	110	125	530	1420	240	940	803	1568	140	310	610	550	200	475	60	300	580	575	4-28
IHG125-100-200B	Y200L ₁ -2/30	110	125	530	1420	240	940	803	1568	140	310	610	550	200	475	60	300	580	575	4-28
IHG125-100-250	Y280S-2/75	110	140	530	1820	310	1200	1010	1820	140	410	730	670	225	640	60	380	540	780	4-28
IHG125-100-250A	Y280S-2/75	110	140	530	1820	310	1200	1010	1820	140	410	730	670	225	640	60	380	540	780	4-28
IHG125-100-250B	Y250M-2/55	110	140	530	1620	280	1060	935	1745	140	385	660	600	225	575	60	350	510	720	4-28
IHG125-100-315	Y315S-2/110	110	140	530	1850	325	1200	1240	2020	140	865	830	760	250	865	60	430	685	980	4-28
IHG125-100-315A	Y280M-2/90	110	140	530	1820	310	1200	1060	1870	140	410	730	670	250	640	60	380	685	900	4-28
IHG125-100-315B	Y280S-2/75	110	140	530	1820	310	1200	1010	1820	140	410	330	670	250	640	60	380	695	900	4-28

50/60Hz 1450/1725r/min

单位:毫米 unit:(mm)

泵型号 Pump Model	电机型号 Motor model	A	a	f	L ₁	L ₂	L ₃	L ₄	L ₅	X	B ₁	B ₂	B ₃	h ₁	h ₂	h ₃	H	H ₁	H ₂	n-d
IHG50-32-125	Y801-4/0.55	80	80	385	820	140	540	330	895	100	150	360	320	112	170	35	177	317	422	4-18.5
IHG50-32-125A	Y801-4/0.55	80	80	385	820	140	540	330	895	100	150	360	320	112	170	35	177	317	422	4-18.5
IHG50-32-160	Y801-4/0.55	80	80	385	820	140	540	330	895	100	150	360	320	132	170	35	197	357	442	4-18.5
IHG50-32-160A	Y801-4/0.55	80	80	385	820	140	540	330	895	100	150	360	320	132	170	35	197	357	442	4-18.5
IHG50-32-200	Y90S-4/1.1	80	80	385	820	140	540	330	925	100	155	360	320	160	170	35	225	405	475	4-18.5
IHG50-32-200A	Y802-4/0.75	80	80	385	820	140	540	330	895	100	150	360	320	160	170	35	225	405	470	4-18.5
IHG50-32-250	Y100L ₁ -4/2.2	95	100	500	1020	180	660	430	1130	100	180	450	400	180	245	35	260	485	520	4-24
IHG50-32-250A	Y90L-4/1.5	95	100	500	1020	180	660	385	1085	100	155	450	400	180	190	35	260	485	510	4-24
IHG50-32-250B	Y90S-4/1.1	95	100	500	1020	180	660	360	1060	100	155	450	400	180	190	35	260	485	510	4-24
IHG65-50-125	Y801-4/0.55	80	80	385	820	140	540	330	895	100	150	360	320	112	170	35	177	315	422	4-18.5
IHG65-50-125A	Y801-4/0.55	80	80	385	820	140	540	330	895	100	150	360	320	112	170	35	177	315	422	4-18.5
IHG65-50-160	Y802-4/0.75	80	80	385	820	140	540	330	895	100	150	360	320	132	170	35	197	357	442	4-18.5
IHG65-50-160A	Y801-4/0.55	80	80	385	820	140	540	330	895	100	150	360	320	132	170	35	197	357	442	4-18.5
IHG65-40-200	Y90L-4/1.5	80	100	385	920	160	600	385	970	100	155	390	350	160	190	35	225	405	475	4-18.5
IHG65-40-200A	Y90S-4/1.1	80	100	385	920	160	600	385	970	100	155	390	350	160	190	35	225	405	475	4-18.5
IHG65-40-250	Y100L ₂ -4/3	95	100	500	1020	180	660	500	1130	100	180	450	400	180	245	35	260	485	530	4-24
IHG65-40-250A	Y100L ₁ -4/2.2	95	100	500	1020	180	660	500	1130	100	180	450	400	180	245	35	260	485	530	4-24
IHG65-40-250B	Y90L-4/1.5	95	100	500	1020	180	660	500	1080	100	155	450	400	180	190	35	260	485	510	4-24
IHG65-40-315	Y132S-4/5.5	95	125	500	1140	200	740	510	1235	100	210	490	440	200	315	35	280	530	578	4-24
IHG65-40-315A	Y112M-4/4	95	125	500	1140	200	740	460	1185	100	190	490	440	200	265	35	280	530	553	4-24
IHG65-40-315B	Y100L ₂ -4/3	95	125	500	1140	200	740	430	1155	100	180	490	440	200	245	35	280	530	550	4-24
IHG80-65-125	Y802-4/0.75	80	100	385	820	140	540	330	915	100	150	360	320	132	170	35	197	375	447	4-18.5
IHG80-65-125A	Y801-4/0.55	80	100	385	820	140	540	330	915	100	150	360	320	132	170	35	197	375	442	4-18.5
IHG80-65-160	Y90L-4/1.5	80	100	385	920	160	600	385	970	100	155	390	350	160	190	35	240	420	510	4-18.5
IHG80-65-160A	Y90S-4/1.1	80	100	385	920	160	600	360	945	100	155	390	350	160	190	35	240	420	490	4-18.5
IHG80-50-200	Y100L ₁ -4/2.2	80	100	385	920	160	600	430	1015	100	180	390	350	160	245	35	225	425	495	4-18.5
IHG80-50-200A	Y100L ₁ -4/2.2	80	100	385	920	160	600	430	1015	100	180	390	350	160	245	35	225	425	495	4-18.5
IHG80-50-200B	Y90L-4/1.5	80	100	385	920	160	600	385	970	100	155	390	350	160	245	35	225	425	495	4-18.5
IHG80-50-250	Y132S-4/5.5	95	125	500	1140	200	740	510	1235	100	210	490	440	180	315	40	260	485	558	4-24
IHG80-50-250A	Y100L ₂ -4/3	95	125	500	1020	180	660	430	1155	100	180	450	400	180	245	40	260	485	530	4-24
IHG80-50-250B	Y100L ₂ -4/3	95	125	500	1020	180	660	430	1155	100	180	450	400	180	245	40	260	485	530	4-24
IHG80-50-315	Y132M-4/7.5	95	125	500	1140</															

IHG型单级单吸化工离心泵 IHG SINGLE STAGE CHEMICAL PROCESS PUMP

16

50/60Hz 1450/1725r/min

单位:毫米 unit:(mm)

泵型号 Pump Model	电机型号 Motor model	A	a	f	L ₁	L ₂	L ₃	L ₄	L ₅	X	B ₁	B ₂	B ₃	h ₁	h ₂	h ₃	H	H ₁	H ₂	n-d
IHG80-50-315A	Y132S-4/5.5	95	125	500	1140	200	740	510	1235	100	210	490	440	225	315	40	305	585	603	4- 24
IHG80-50-315B	Y112M-4/4	95	125	500	1140	200	740	460	1185	100	190	490	440	225	265	40	305	585	578	4- 24
IHG100-80-125	Y90L-4/1.5	95	100	385	920	160	600	385	970	100	155	390	350	160	190	35	225	405	475	4- 18.5
IHG100-80-125A	Y90S-4/1.1	95	100	385	920	160	600	360	945	100	155	390	350	160	190	35	225	405	475	4- 18.5
IHG100-80-160	Y100L ₁ -4/2.2	95	100	500	1020	180	660	430	1130	100	180	450	400	160	245	40	240	440	510	4- 24
IHG100-80-160A	Y100L ₁ -4/2.2	95	100	500	1020	180	660	430	1130	100	180	450	400	160	245	40	240	440	510	4- 24
IHG100-65-200	Y112M-4/4	95	100	500	1140	200	740	430	1200	140	190	490	440	180	265	40	260	485	533	4- 24
IHG100-65-200A	Y100L ₂ -4/3	95	100	500	1140	200	740	430	1170	140	180	490	440	180	245	40	260	485	530	4- 24
IHG100-65-200B	Y100L ₁ -4/2.2	95	100	500	1140	200	740	430	1170	140	180	490	440	180	245	40	260	485	530	4- 24
IHG100-65-250	Y132S-4/5.5	110	125	500	1140	200	740	510	1275	140	210	490	440	200	315	40	280	530	578	4- 24
IHG100-65-250A	Y132S-4/5.5	110	125	500	1140	200	740	510	1275	140	210	490	440	200	315	40	280	530	578	4- 24
IHG100-65-250B	Y112M-4/4	110	125	500	1140	200	740	460	1225	140	190	490	440	200	265	40	280	530	553	4- 24
IHG100-65-315	Y160M-4/11	110	125	530	1270	215	840	655	1450	140	255	540	490	225	385	40	305	585	630	4- 24
IHG100-65-315A	Y160M-4/11	110	125	530	1270	215	840	655	1450	140	255	540	490	225	385	40	305	585	630	4- 24
IHG100-65-315B	Y132M-4/7.5	110	125	530	1270	215	840	550	1345	140	210	540	490	225	315	40	305	585	603	4- 24
IHG125-100-200	Y132M-4/7.5	110	125	500	1140	200	740	550	1315	140	210	490	440	200	315	40	280	560	578	4- 24
IHG125-100-200A	Y132S-4/5.5	110	125	500	1140	200	740	510	1275	140	210	490	440	200	315	40	280	560	578	4- 24
IHG125-100-200B	Y112M-4/4	110	125	500	1140	200	740	460	1225	140	190	490	440	200	265	40	280	560	543	4- 24
IHG125-100-250	Y160M-4/11	110	140	530	1270	215	840	655	1460	140	255	540	490	225	385	40	305	465	630	4- 24
IHG125-100-250A	Y160M-4/11	110	140	530	1270	215	840	655	1460	140	255	540	490	225	385	40	305	465	630	4- 24
IHG125-100-250B	Y132S-4/7.5	110	140	530	1270	215	840	550	1360	140	210	540	490	225	315	40	305	465	603	4- 24
IHG125-100-315	Y180M-4/18.5	110	140	530	1420	240	940	730	1540	140	285	610	550	250	430	50	350	665	695	4- 28
IHG125-100-315A	Y160L-4/15	110	140	530	1420	240	940	695	1505	140	285	610	550	250	430	50	350	665	675	4- 28
IHG125-100-315B	Y160M-4/11	110	140	530	1270	215	840	655	1465	140	255	540	490	250	385	50	330	645	655	4- 24
IHG125-100-400	Y200L-4/30	130	140	530	1620	280	1060	803	1613	140	310	660	600	280	475	50	380	735	770	4- 28
IHG125-100-400A	Y200L-4/30	130	140	530	1620	280	1060	803	1613	140	310	660	600	280	475	50	380	735	770	4- 28
IHG125-100-400B	Y180L-4/22	130	140	530	1620	280	1060	750	1560	140	285	660	600	280	430	50	380	735	725	4- 28
IHG150-125-250	Y180M-4/18.5	110	140	530	1420	240	940	730	1540	140	610	610	550	250	430	50	350	705	695	4- 28
IHG150-125-250A	Y160L-4/15	110	140	530	1420	240	940	695	1505	140	255	610	550	250	385	50	350	705	675	4- 28
IHG150-125-250B	Y160M-4/11	110	140	530	1270	215	840	655	1465	140	255	540	490	250	385	50	330	685	655	4- 28
IHG150-125-315	Y200L-4/30	130	140	530	1620	280	1060	803	1613	140	310	660	600	280	475	50	380	735	770	4- 28
IHG150-125-315A	Y180L-4/22	130	140	530	1620	280	1060	750	1560	140	285	660	600	280	430	50	380	735	725	4- 28
IHG150-125-315B	Y180M-4/18.5	130	140	530	1620	280	1060	730	1540	140	285	660	600	280	430	50	380	735	725	4- 28
IHG150-125-400	Y250M-4/55	110	140	530	1620	280	1060	935	1745	140	385	660	600	315	575	50	415	815	905	4- 28
IHG150-125-400A	Y225S-4/37	110	140	530	1620	280	1060	845	1655	140	325	660	600	315	530	50	415	815	805	4- 28
IHG150-125-400B	Y200L-4/30	110	140	530	1620	280	1060	803	1613	140	310	660	600	315	475	50	415	815	805	4- 28
IHG200-150-250	Y225M-4/45	130	160	530	1620	280	1060	870	1740	180	345	660	600	280	530	50	380	755	770	4- 28
IHG200-150-250A	Y225S-4/37	130	160	530	1620	280	1060	840	1710	180	310	660	600	280	530	50	380	755	770	4- 28
IHG200-150-250B	Y200L-4/30	130	160	530	1620	280	1060	803	1673	180	310	730	600	280	475	50	380	755	725	4- 28
IHG200-150-315	Y250M-4/55	130	160	670	1820	310	1200	935	1945	180	385	730	670	315	575	50	415	815	905	4- 28
IHG200-150-315A	Y225M-4/45	130	160	670	1820	310	1200	870	1880	180	345	730	670	315	530	50	415	815	805	4- 28
IHG200-150-315B	Y225S-4/37	130	160	670	1820	310	1200	845	1855	180	345	730	670	315	530	50	415	815	808	4- 28
IHG200-150-400	Y280M-4/90	130	160	670	1820	310	1200	1060	2070	180	410	730	670	315	640	50	415	865	935	4- 28
IHG200-150-400A	Y280S-4/75	130	160	670	1820	310	1200	1010	2020	180	410	730	670	315	640	50	415	865	935	4- 28
IHG200-150-400B	Y250M-4/55	130	160	670	1820	310	1200	935	1945	180	385	730	670	315	575	50	415	865	905	4- 28
IHG200-150-400C	Y225M-4/45	130	160	670	1820	310	1200	870	1880	180	345	730	670	315	530	50	415	865	805	4- 28

订货须知

1. 用户在订货时要提供输送介质的名称、比重、温度、浓度、有无固体颗粒、是否结晶以及性能(流量、扬程)要求、转速等情况,以便作为泵的选型、材料选择,配带电机时的技术依据,填写“离心泵数据表”。

2. 如果介质比重大于1时,注意选配合适的电机。

介质比重=1时,按 =1选配; 1 < 1.4时,按 =1.4选配,当1.4 < 1.84时,按 =1.84选配。

Order Instruction

1. When placing the order, the medium, specific gravity, temperature, viscosity, contain solid particles or not, contain crystals or not, flow, head, speed etc should be indicated. The pump and the material will be selected base on these factors.

2. If the specific gravity more than 1, the motor power should selected as bellows:

When medium gravity=1, motor power selected according to gravity=1, if 1 < gravity 1.4, motor power selected base on gravity=1.4, if 1.4 < gravity 1.84, motor power selected base on gravity=1.84.



全国统一服务热线 400 604 3398

地 址：广州市海珠区科韵南路133号
生产中心地址：佛山市南海区红岭路2号之一
销售部电话：(020) 66834613 66834616 66834618
技术咨询：(0757) 81093982
维修部电话：(020) 66834630 66834631
服务投诉：(020) 66834612

传 真：(020) 66834619 66834629
E - mail: sales@gygcn.com
网 址 URL: www.gypump.com

说明书内容如有改动，恕不另行通知
All specifications subject to change without notice

A-IHG20150301